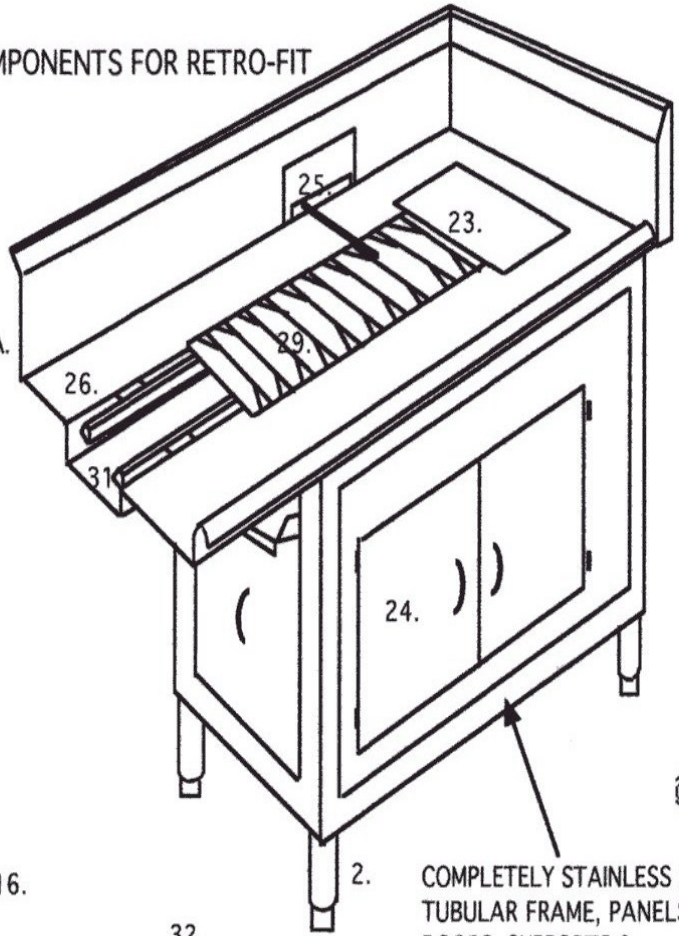
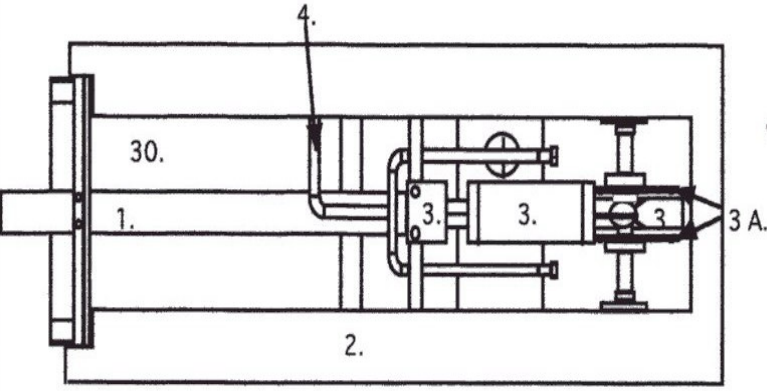
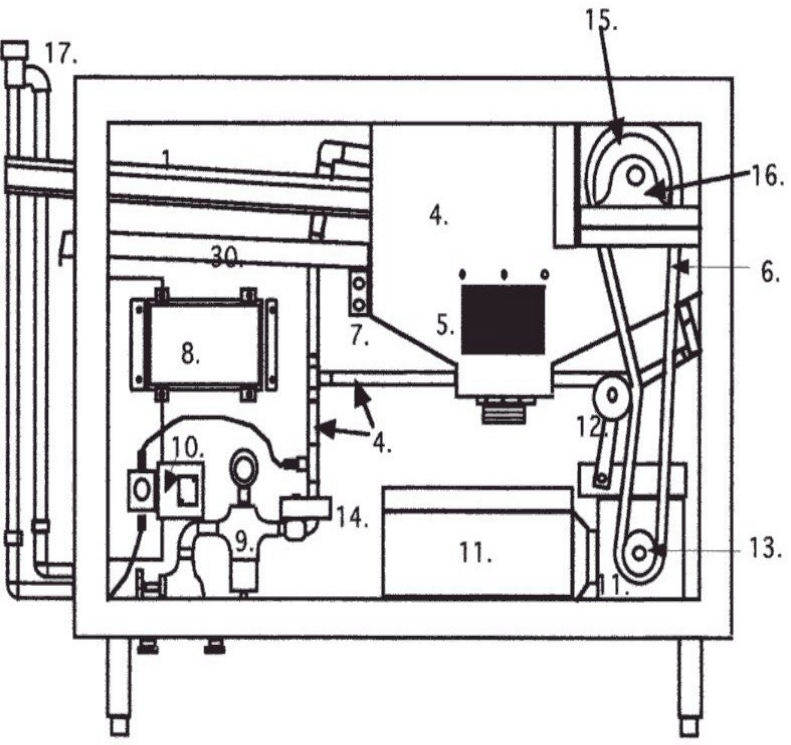


NEW STYLE DRIVE COMPONENTS FOR RETRO-FIT



SEE NEXT PAGE FOR INDEX NUMBERS



2. COMPLETELY STAINLESS STEEL TUBULAR FRAME, PANELS, DOORS, SUPPORTS & BRACKETS.



2081 S. HELLMAN AVE. #J ONTARIO, CA. 91761

(909) 947-4877 FAX (909) 947-1083