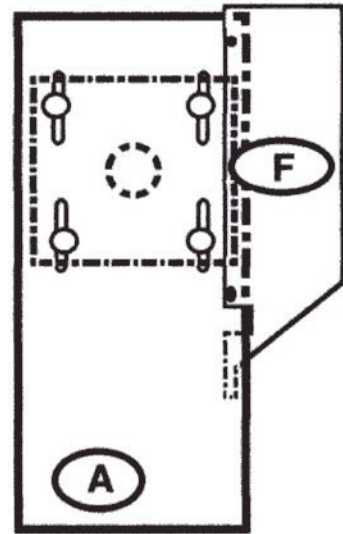
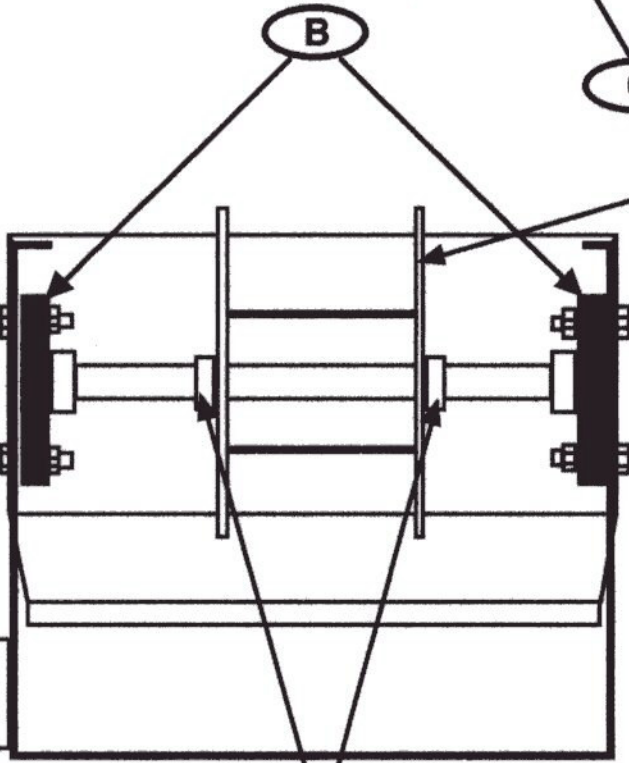


**RETRO-FIT
TAIL ASSEMBLY
COMPONENTS DRAWING**



- A. 8 GA. S/S TAIL SUPPORT
- B. FLANGED BEARINGS
- C. S/S TAIL SHAFT
- D. S/S IDLER WHEEL RETAINING COLLARS
- E. S/S IDLER WHEEL
- F. S/S TAIL SPLASH GUARD
- G. CENTRAL LUBE STATION FOR BEARINGS



2081 S. HELLMAN AVE. #J ONTARIO, CA. 91761
TEL(909) 947 - 4877 FAX (909) 947 - 1083