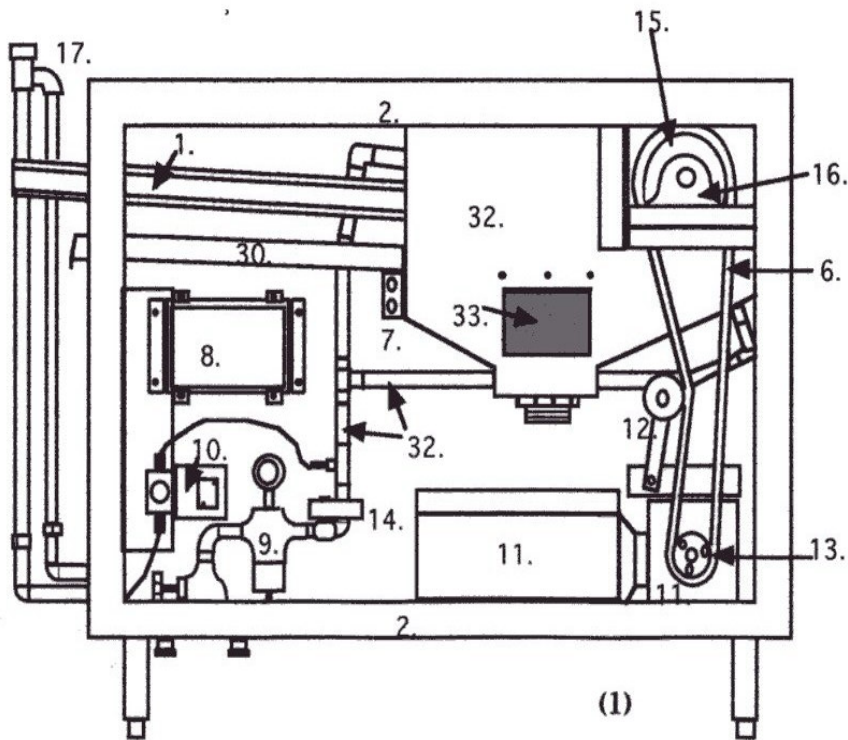
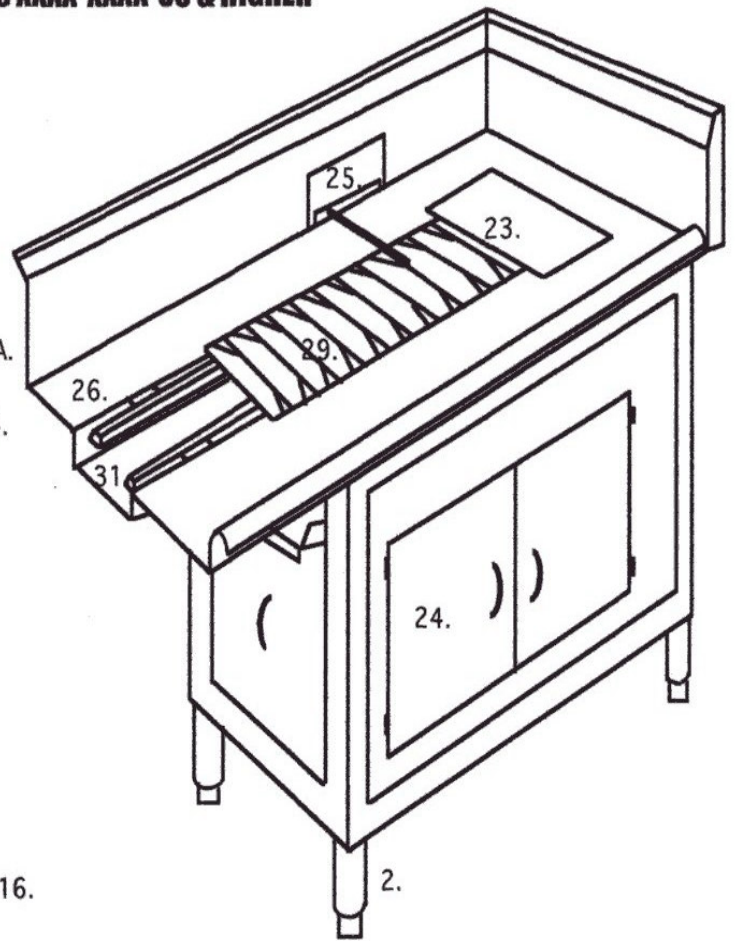
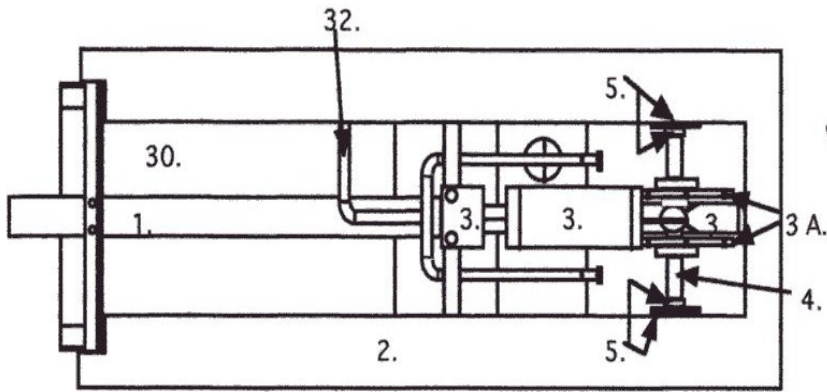


FOR IDENTIFICATION PURPOSES ONLY! ON CONVEYORS W/ SERIAL #'S XXXX-XXXX-85 & HIGHER



SHELCON[®]
INC.

2081 S. HELLMAN AVE. #J ONTARIO, CALIF. 91761

(909) 947-4877 FAX (909) 947-1083